

# ClearOne®

---

## VIEW® Pro D210

High-definition, IP, Compressed Audio/Video Decoder

### Quick-Start Guide



## Table of Contents

THE VIEW PRO ENCODER AND DECODER .....	1
ENCODER AND DECODERS IN A NETWORK .....	2
PARTS INCLUDED.....	3
QUICK-START OVERVIEW .....	4
MOUNTING THE D210 DECODER.....	4
CONNECTING THE DECODER.....	7
CONFIGURING THE DECODER.....	9
PART NUMBERS.....	10

---

# VIEW PRO D210 QUICK-START GUIDE

## THE VIEW PRO ENCODER AND DECODER

ClearOne's VIEW Pro multimedia streaming devices deliver the ultimate in high-quality, low-latency, 4:4:4 R'G'B true color digital media over existing IP networks.

A VIDEODSP™ product of unmatched scalability and value, the VIEW Pro D210 Decoder makes uncompromised delivery and quality of digital media more secure, easy, and accessible than ever before.

The D210 supports all AV distribution via your existing IP networks and infrastructure to all endpoints – from video wall screens to single and large-display screens.

The VIEW Pro D210 decoder takes the combined video and audio stream, usually provided from a VIEW Pro E120 encoder, decodes it, and then sends the video and audio to a display such as a HDTV or projector and sound system.

**IMPORTANT:** The VIEW Pro D210 decoder is ordinarily used in a StreamNet network configured using StreamNet Dealer Setup or VIEW CONSOLE software, but can also receive H.264 RTSP/UDP streams from 3rd-party encoders/streamers using the optional per unit license for VIEW Pro Decoder.

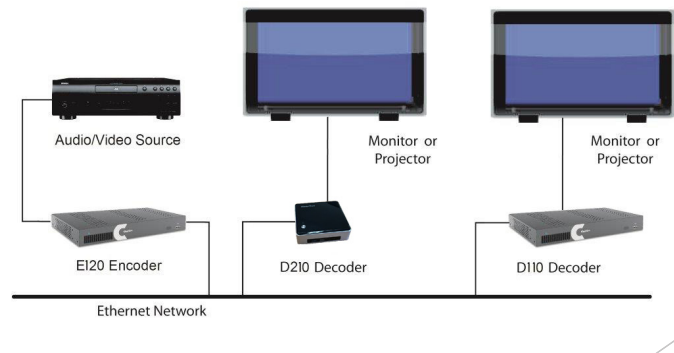
The latest version of the StreamNet Dealer Setup or VIEW CONSOLE software can be found on the ClearOne website at:

[http://www.clearone.com/resources#network\\_media\\_streaming](http://www.clearone.com/resources#network_media_streaming)

## VIEW PRO ENCODER & DECODER

### ENCODER AND DECODERS IN A NETWORK

The VIEW Pro encoder receives input from an AV source device such as BluRay Player, DVD Player, etc. and distributes it over a StreamNet TCP/IP network using a standard 100 Mbit or Gbit Ethernet connection. The D210 or D110 decoders, as counterparts, are installed at the locations of the target video displays. They operate together: the encoders providing the IP data for the decoders to deliver to the displays.



## VIEW PRO D210 QUICK-START GUIDE

### PARTS INCLUDED

The following items are included with the VIEW Pro D210 Decoder:



The following items are included with the VIEW Pro D210 Decoder:

- D210 Decoder Unit
- Power Supply with cord
- Mounting Plate  
(VESA, holes spaced 100 mm X 100 mm, 3.9 inches X 3.9 inches)
- Mounting Screws for Mounting Plate and D210 Unit
- USB to DB9 Serial Adapter

Verify that all items have been received. If there is any issue, please contact your ClearOne representative.

## VIEW PRO ENCODER & DECODER

### QUICK-START OVERVIEW

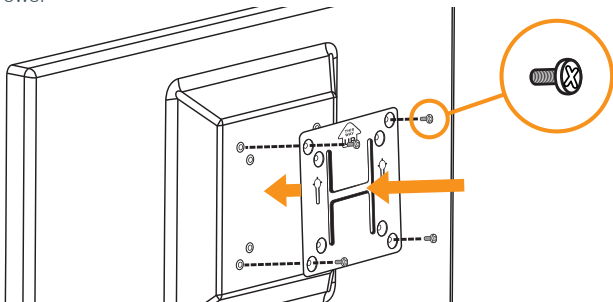
Perform these steps in the following order to use the VIEW Pro D210 Decoder in your StreamNet network:

1. Mounting the D210 Decoder. (Optional)
2. Connecting the D210 Decoder
3. Configuring the D210 Decoder.

### MOUNTING THE D210 DECODER

The D210 includes a Mounting Plate and screws. The Mounting Plate can be used on a wall or for applications where a decoder must be located on a VESA mount, such as on the back of a monitor.

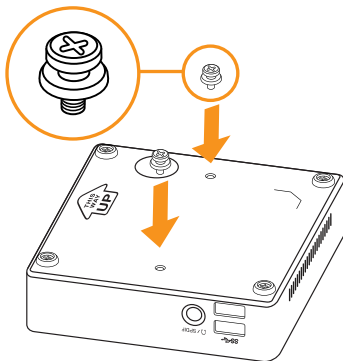
Attaching the Mounting Plate to a display uses the 4 phillips-head screws.



## VIEW PRO D210 QUICK-START GUIDE

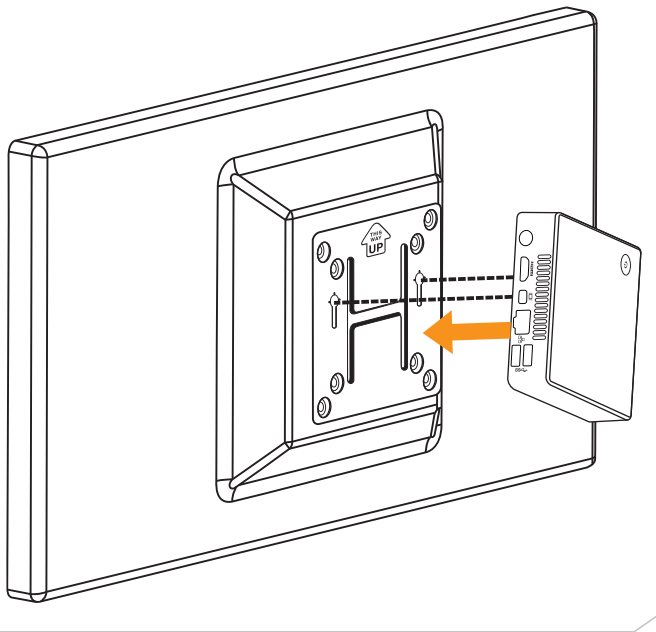
**NOTE:** Although the Mounting Plate does attach the decoder to the back of a display, it also allows the decoder to be attached to a separate VESA mount.

Insert the 2 screws with the extended heads into the back of the D210 and tighten.



Align the D210 with the Mounting Plate so that indicator arrows on the plate and the decoder are pointed upward. Insert the heads of the extended screws on the D210 into the keyhole slots of the Mounting Plate and slide down to secure.

## VIEW PRO ENCODER & DECODER



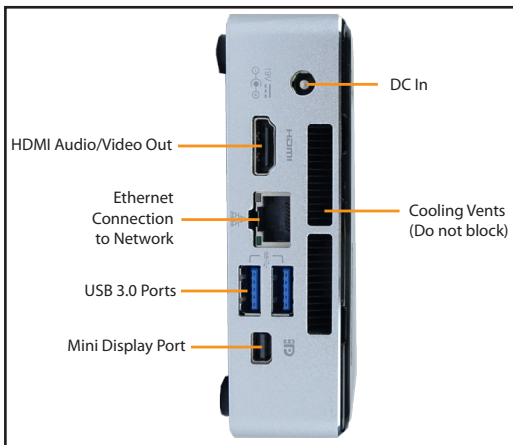


## VIEW PRO D210 QUICK-START GUIDE

### CONNECTING THE DECODER

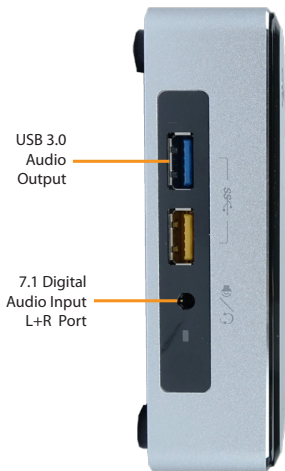
Connect the D210 Decoder to:

- DC power provided by the power supply
- Ethernet LAN where the encoders and the computer running the StreamNet Dealer Setup program are connected
- HDMI Audio/Video output to the HDMI input on the display or projector.



**NOTE:** Carefully run the connected cables so they do not block the cooling vents or put strain on the connectors.

## VIEW PRO ENCODER & DECODER



### USB 3.0 Ports

Any of the VIEW Pro D210 Decoder USB 3.0 ports can be used by the USB to DB9 Serial Adapter allowing serial communication to/from the unit. Additionally, the Local Playback license and the USB Human Interface Device licenses for VIEW Pro Decoder use these ports to allow Local Playback of media and keyboard and mouse control through the VIEW Pro Decoder. These license options are usually selected at time of purchase of the D210 and are factory-installed prior to delivery, however, they can also be purchased and installed after delivery.

## VIEW PRO D210 QUICK-START GUIDE

### CONFIGURING THE DECODER

The VIEW Pro D210 Decoder is configured for use in the commercial or residential network using the StreamNet Dealer Setup or the VIEW CONSOLE. StreamNet Dealer Setup and VIEW CONSOLE are PC-based programs that allows you to configure devices so that they can communicate across a StreamNet network. Phases of the software setup include:

- Create a new or open an existing project
- Add the D210 device to the project
- Match the device.
- Configure the device with system-specific information regarding Display Outputs, Controls, IP.
- Save the project
- Send the configurations

These steps in these processes are detailed in the Dealer Setup or VIEW CONSOLE manuals available for viewing or download at [www.ClearOne.com](http://www.ClearOne.com).

**NOTE:** Dealer Setup version 3.00.48 or later or VIEW CONSOLE 1.02 or later is required to support the D210 decoder.

Information specific to the VIEW Pro Decoder is contained in the VIEW Pro - D110 Digital AV Decoder Installation and Users Manual available for viewing or download at [www.clearone.com](http://www.clearone.com). (The steps for using the Dealer Setup program and options for the D210 are similar to those for the D110 decoder.)

## VIEW PRO ENCODER & DECODER

### PART NUMBERS

<b>910-0003-001</b>	<b>VIEW Pro Decoder D210</b>
910-0001-001	VIEW Pro Decoder D110
910-0003-002	VIEW Pro Decoder D310
910-0000-006	VIEW Pro Decoder E110
910-0000-001	VIEW Pro Encoder E120
<b>910-0001-002</b>	<b>StreamNet Legacy Audio per unit license for VIEW Pro Decoder</b>
910-0000-002	StreamNet Legacy Audio per unit license for VIEW Pro Encoder
<b>910-0001-003</b>	<b>Audio mixing per unit license for VIEW Pro Decoder</b>
910-0000-003	Audio mixing per unit license for VIEW Pro Encoder
<b>910-0001-004</b>	<b>Video Composition per unit license for VIEW Pro Decoder</b>
910-0000-004	Video Composition per unit license for VIEW Pro Encoder
<b>910-0001-005</b>	<b>3rd-Party RTSP/UDP per unit license for VIEW Pro Decoder</b>
910-0000-005	3rd-Party RTSP/UDP per unit license for VIEW Pro Encoder
<b>910-0001-006</b>	<b>Local Playback per unit license for VIEW Pro Decoder to play local video from USB drive</b>

# VIEW PRO D210 QUICK-START GUIDE

## CONTACT INFORMATION

### Headquarters

5225 Wiley Post Way  
Suite 500  
Salt Lake City, UT 84116

### US & Canada

**Tel:** 801.975.7200  
**TollFree:** 800.945.7730  
**Fax:** 801.303.5711

### International

**Tel:** +1.801.975.7200  
**e-mail:** [global@clearone.com](mailto:global@clearone.com)

### Sales

**Tel:** 801.975.7200  
**e-mail:** [sales@clearone.com](mailto:sales@clearone.com)

### TechSales

**Tel:** 801.974.3760  
**e-mail:** [techsales@clearone.com](mailto:techsales@clearone.com)

### TechSupport

**Tel:** 801.974.3760  
**e-mail:** [tech.support@clearone.com](mailto:tech.support@clearone.com)